



# ***AIR BALANCER***





# YAB AIR BALANCER

## ■ Introduction

Air Balancer is handling equipment whose power source is compressed air.

## ■ Features

### ✦ Economical

Both lifting and auto balance function are available, can be used in combination.

### ✦ Clean & Quiet Design

1. No lubrication is needed and produces no oil mist.
2. With no air motor, AIR BALANCER produces very little noise in operation.

### ✦ Robust Design

Well preventing air leakage or operational problems.

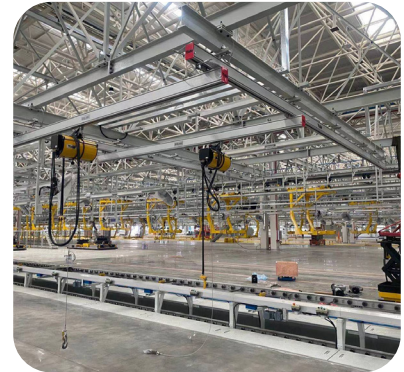
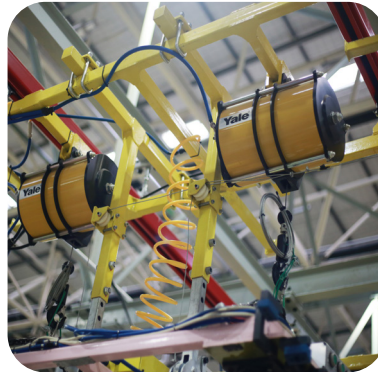
### ✦ Low Maintenance Cost

Separate design of piston and sealing gasket for easy disassembly and maintenance.



## Application

- ◆ Precise positioning (Assembly work requiring micro-adjustment)
- ◆ High frequency handling and carrying
- ◆ Improving the operating environment (No lubrication, low starting sound)



## Advantages

- ◆ Adjustment of Lifting and Lowering Speed

Both speeds are adjustable by turning the knob on control module.

- ◆ Floating Capability

By adding or reducing force directly onto the hanged load, the load will move down or up respectively. The range of floating is about 35cm up and down from stable position.

## Module Configuration



### Mode MS

- ◆ UP/Down pendant button control
- ◆ About 30cm Floating distance
- ◆ Free weight switching



### Mode MSA

- ◆ UP/Down pendant button control
- ◆ About 30cm Floating distance
- ◆ Free weight switching
- ◆ Even if the air supply is cut off or when hoses are broken, hanged load will not fall.

## ■ Technical Data

Mode	Air Pressure (MPa)	Capacity (kg)	Stroke (m)	Weight (kg)	Cable Dia (mm)	Air Inlet
YAB-50	0.7	55	1.9	28	φ4.76	Rc3/8
	0.6	48				
YAB-80	0.7	90	1.9	29		
	0.6	75				
YAB-130	0.7	140	1.9	36		
	0.6	120				
YAB-270	0.7	270	1.9	43	φ6	
	0.6	230				

## ■ Safety Configurations

- ✦ **Overload Protection**

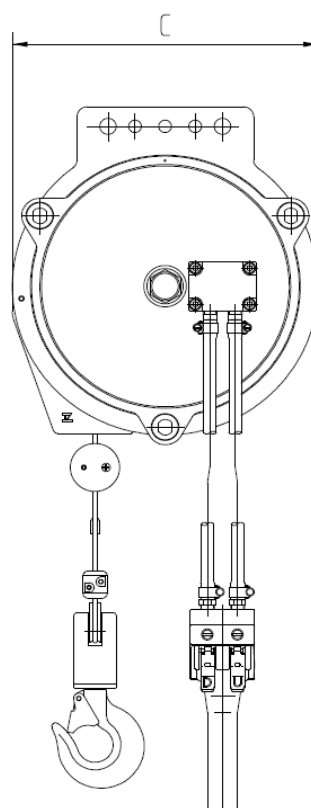
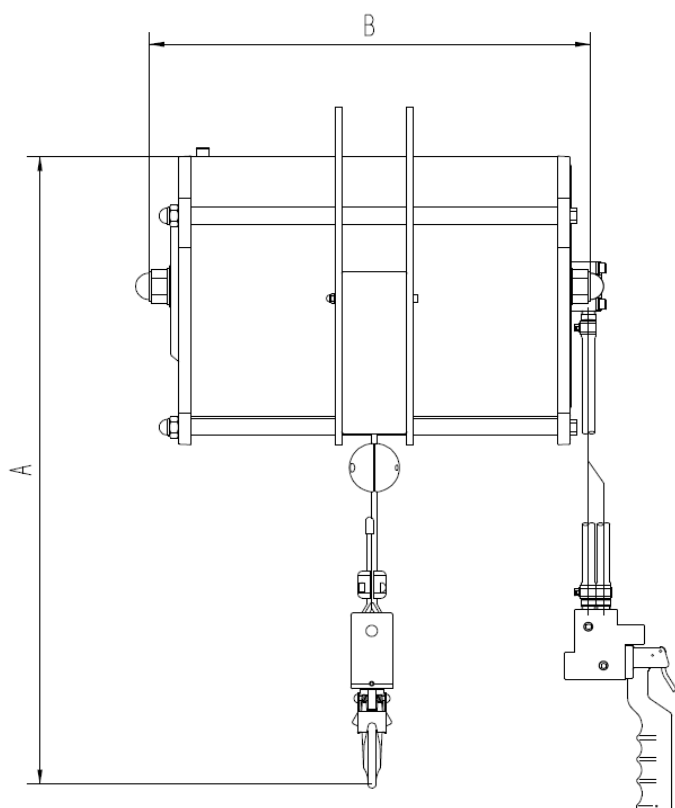
Protection against loads not exceeding the maximum rated load of the device.
- ✦ **Wire Rope Rebound Protection**

Centrifugal braking system automatically stops the rope if the load is accidentally falling down.
- ✦ **Air Cut-off Protection**

Effective protection against load drift if the main air supply is interrupted.

■ Dimensions

Mode	Module	Dimensions(mm)			
		A		B	C
		MIN	MAX		
YAB-50	MS	526	2426	473	211
	MS-A	526	2426	498	211
YAB-80	MS	570	2470	466	252
	MS-A	570	2470	491	252
YAB-130	MS	652	2552	469	305
	MS-A	652	2552	494	305
YAB-270	MS	652	2452	591	305
	MS-A	652	2452	616	305



**Please contact our authorised agents**